



Source-IT-Security



X-Ray Model S3 150165

- ❖ Ergonomic Design
- ❖ Multi – Language Function Keys
- ❖ High – Performance Engineering
- ❖ Economic Solution
- ❖ 6 color Imaging technology

Source-IT-Security introduces a new X-ray screening manufacturer for the security market with the knowledge gained from over 60 years of combined experience from our management team working with our world-wide customer base. Our systems are designed for screening at checkpoints in airports, courthouses, office buildings, passenger cruise lines, and government facilities. Continuing with our commitment of minimized down time, our proprietary x-ray scanning operating system runs on a stable Linux platform insuring greater system stability and uptime.. The system has **6 Color** dual-energy images, lockable control panel, and self-diagnostics.

The Systems meets all international safety regulations including CE requirements , USFDA certifications, and ISO 9001:2008 Having been a services company for many years, we understand the importance of simplicity of design and ease of maintenance. Both these philosophies were incorporated in the R&D of all offered models in order to minimize down time with ease of maintenance in mind. The benefits of both philosophies is increased ROI for each end user of our offered x-ray systems. We have a very aggressive delivery schedule of 30 days from approved order date for most standard systems.



Source IT Security
Liberty Lake – Washington 99019 USA

www.source-it-security.com

Physical Properties		
Dimensions:	Length	8,100 mm (319.0 in)
	Height	2,370 mm (93.3 in)
	Width	2,720 mm (107.0 in)
Tunnel Dimensions:	1,822 mm W x 1,809 mm H	
Conveyor Speed :	0.20 m/Sec	
Conveyor Load Capacity :	2,000 Kg (4,410 lbs) Evenly Distributed	
Conveyor Height :		
Approx . Weight Un packed	4,300 Kg (6,613 lbs)	
System Power :	230 VAC +/- 10% 50/60 Hz	

X-Ray Generator & Image Performance	
Steel Penetration :	47 mm Guaranteed ; 50 mm Typical
Wire Resolution :	38 AWG Guaranteed ; 40 AWG Typical
Generator Cool :	Oil and Forced air Cooling
Anode Voltage :	180 KV , Operating at 170 KV
Tube Current :	1.2 mA
Direction Of X-Ray :	Vertically Upward

High-Penetration X-Ray Generator Options	

Computer Specifications	
Processor :	Intel® Core™ i3 (Or Superior)
Monitor :	22 " LED Color , Flicker free
Video Card	1GB Minimum
Hard Drive :	500 GB Minimum
USB Port :	6 Port Minimum
Operating System :	Linux

Operating Environment	
Storage Temperature :	-20°C to 60°C
Operating Temperature	-10 °C to 50 °C
Relative Humidity	5-95% non-condensing

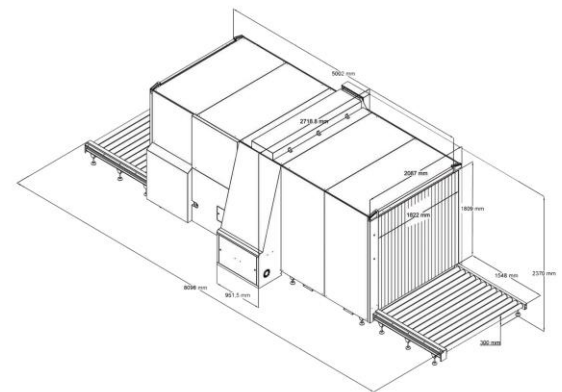
Health and Safety	
All products meet all applicable international Health and safety regulations. Maximum level of radiation the exterior panels come in contact With is 0.1mR/hour. Compliant with USFDA, Center of Devices and Radiation Health Standards for cabinet X-Ray systems (21-CFR 1020.40).	
Film safety :	ISO 1600 / 33 DIN
CE Compliance :	Certified
FCC & IEC Compatibility:	Available

Standard Features

Multi energy imaging
(6 colors selectable)
 Detail enhancement (PV)
 Edge Enhancement (EE)
 Black & White view (B/W)
 Organic/inorganic separation (OM/IM)
 Pseudo color (PS)
 Inverse view (IN)
 High penetration (HP)
 Variable edge clarification (+E -E)
 Variable color separation (+C -C)
 Variable contrast level (+G -G)
 Variable density zoom (+D -D)
 Zoom real time (64 xs)
 Image of previous bag
 Manual image archiving
 Automatic image archiving
 Programmable function keys
 Baggage counter
 Date/Time indicator
 UPS (for computer)
 Flat Panel LED Monitor
 Threat Image Projection (TIP)
 Organic danger alarm
 Inorganic danger alarm
 Operator Training Program (OTP)

OPTIONAL FEATURES

UPS (Uninterrupted Power Supply)
 Operator console
 Input – output rollers
 Barcode Reader System
 Test Kit (STP/ASTM)
 Remote Access Connection (Server)
 External Camera Archiving



Source IT Security
 Liberty Lake – Washington 99019 USA

www.source-it-security.com