

Source -IT- Security 180-180



- Ergonomic Design
- Multi-Language Function Keys
- High-Performance Engineering
- Economic Solution

BIG CARGO IMAGING SYSTEM

Source-IT-Security introduces our X-Ray Center manufacturing new X-Ray screening systems for the security market with the knowledge gained from over 60 years of combined experience. Plus, our management team working with our world-wide customer base. Our systems are designed for screening at checkpoints in airports, courthouses, office buildings, passenger cruise lines, and government facilities. The 18-0180 was designed with the ease of mobility in mind for rapid deployment and a quick set up.

The 180-180 has the latest and most advanced design with a 71 inch (1800 mm) width by 71 inch (1800 mm) height tunnel opening. Our machines come with a Linux based operating system for greater system stability. The 180-180 system has 4-6 color dual-energy images, lockable control panel, and self-diagnostics.

The 180-180 meets all international safety regulations including those set forth in Federal Regulations 21 CFR 1020.40, and CE requirements.

We will arrange to respond to your service needs with a 24/7 customer service department. We will have your system working within 8 hours or a loaner x-ray system will be provided for customers with equipment covered under warranty and/or a service contract. We are committed to provide equipment with minimum down time.

We have a very aggressive delivery schedule of 30 days from approved order date for most standard systems.

Interested@Source-IT-Security.com

1324 N. Liberty Lake Rd., Suite 111, Liberty Lake, WA 99019 USA

180-180

BIG CARGO IMAGING SYSTEM

PHYSICAL PROPERTIES

Dimensions:	Length: 6900 mm (271.6 in)
	Height: 2400 mm (94.5 in)
	Width: 3200 mm (126 in)
Tunnel Dimensions:	1800 mm (70.8 in) (W) x 1800mm (70.8 in) (H)
Conveyor Speed:	0.10 m/sec
Conveyor Load Capacity:	3000 Kg (6600 lbs) <i>evenly distributed</i>
Approx. Weight Unpacked:	12000 Kg (26400 lbs)
System Power:	120 VAC +/- 10% 60 Hz
	230 VAC +/- 10% 50 Hz
Input/Output Rollers:	1500 mm, <i>come standard with systems</i>

X-RAY GENERATOR AND IMAGE PERFORMANCE

Steel Penetration:	75 mm guaranteed; 80 mm typical
Wire Resolution:	38 AWG guaranteed; 40 AWG typical
Article Separation:	Low Z, Medium Z, High Z 0.5 Z accuracy
Generator Cool:	Sealed Di-Electric Oil Bath with Forced Air
Anode Voltage:	Operating at 320 kV
Tube Current:	7.0 mA
Direction of X-ray:	Horizontal

COMPUTER SPECIFICATIONS

Processor:	Intel® Core™ i3 2120 Processor
Monitor:	24" LED color, flicker free
Memory:	2GB RAM minimum
Video Card:	1 GB minimum
Hard Drive:	500 GB minimum
USB Port:	6 port minimum
Operating System:	Linux

OPERATING ENVIRONMENT

Storage Temperature:	-20°C to 60°C
Operating Temperature:	-10°C to 50°C
Relative Humidity:	5-95% Non-Condensing

HEALTH AND SAFETY

All our X-Ray Center products meet all applicable international health and safety regulations. Federal Standard 21CFR 1020.40 with the Health and Safety at Work Act 1974 – section 6: Maximum level of radiation the exterior panels come in contact with is 0.1mR/hr. (1µSv/hour)

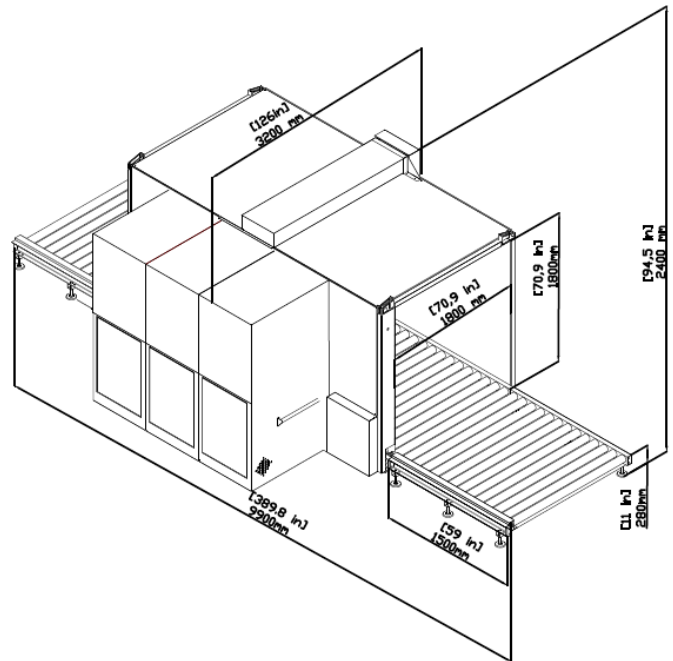
Film safety: ISO 1600 / 33 DIN

CE Compliance: Certified

FCC & IEC Compatibility: Available

Compliant with USFDA, Center of Devices and Radiation Standards for cabinet X-Ray Systems (21-CFR 1020.40).

Due to continuous development, We reserve the right to change specifications without notice.



STANDARD FEATURES

- Multi Energy Imaging (4-6 colors)
- Perfect View (PV)
- Edge Enhancement (EE)
- Black & White View (B/W)
- Organic / Inorganic Separation (OM/IM)
- Pseudo Color (PS)
- Inverse View (IN)
- High Penetration (HP)
- Variable Edge Clarification (+E/-E)
- Variable Color Separation (+C/-C)
- Variable Contrast Level (+G/-G)
- Variable Density Zoom (+D/-D)
- Real Time Image Processing and Zoom (64x)
- Image of Previous Bags
- Manual Image Archiving
- Automatic Image Archiving
- Programmable Function Keys
- Baggage Counter
- Date / Time Indicator
- UPS (for computer)
- Flat Panel LCD Monitor
- Threat Image Projection (TIP)
- Organic Danger Alarm
- Inorganic Danger Alarm
- Operator Training Program (OTP)
- Suspicious Bag Alarm
- Atomic Number (Z value) Measurement
- Operator Console

OPTIONAL FEATURES

- UPS (Uninterrupted Power Supply)
- Dual Monitors

Rev: 11-5-13

