

Rapiscan 628XR

Rapiscan[®]
systems

An OSI Systems Company

BAGGAGE AND PARCEL INSPECTION

Large Parcel and Small Cargo Screening

Easy Loading Conveyor

Network Enabled

Cost Effective



With a 1,000 mm (39.4 inches) wide by 1,000 mm (39.4 inches) high tunnel opening and a low conveyor, the **Rapiscan 628XR** is designed for customers that need easy loading and unloading of small cargo as well as baggage and large parcels during the screening process.

Like all systems in the 600 series family of X-ray scanning solutions, the Rapiscan 628XR is built on a standardized platform that makes it easy to install and maintain, and comes with features such as dual-energy detection, a streamlined, ergonomic design, and Rapiscan's feature-rich OS600 system software.

CUSTOMER SUPPORT SERVICES

Our team is dedicated to providing a prompt, effective and personalized response that exceeds your expectations. With spare parts inventory and skilled technicians all over the world, you can be certain Rapiscan Systems will always be prepared with a solution to address your requirements. By measuring response time, parts delivery and support status, our team embraces a customer focused philosophy to ensure continual improvement in customer support, products and services.

Feature & Option Highlights

OS600 System Software:

Rapiscan's OS600 software provides an intuitive Graphical User Interface with improved image quality as well as advanced networking capabilities.

Threat Image Projection (TIP): TIP inserts digital threat images at configurable frequencies into the regular flow of bags. TIP is the preferred operator performance measurement and training method used by regulatory agencies worldwide.

Threat Image Projection Network (TIPNET): TIPNET is a secure, high speed network that links all TIP enabled systems to a central station.

Target: Target™ is Rapiscan's innovative automatic threat and contraband detection technology. Target's software algorithms search X-ray images for targeted materials by analyzing the mass, size and atomic number of items in the image.

Operator Training Program (OTP): OTP is an easy-to-use software application that helps users learn key system features and functionality.

Density Threshold Alert (DTA): DTA generates a visible alarm when an imaged object exceeds a user-specified density threshold.



BAGGAGE AND PARCEL INSPECTION

PHYSICAL SPECIFICATIONS

Dimensions: Length: 3,918 mm (154.3 in.)
 Height: 2,200 mm (86.6 in.)
 Width: 1,410 mm (55.5 in.)
 Tunnel Size: 1,000 mm (W) x 1,000 mm (H) (39.4 x 39.4 in.)
 Conveyor Speed: 0.20 m/sec (39.4 ft./min)
 Conveyor Max Load: 165 Kg (364 lbs) evenly distributed
 Conveyor Height: 346 mm (13.6 in.)
 Approx Weight: Net: 1,441 Kg (3,176 lbs)
 System Power: 115/230 VAC +/- 10% / 60/50Hz

X-RAY GENERATOR AND IMAGE PERFORMANCE

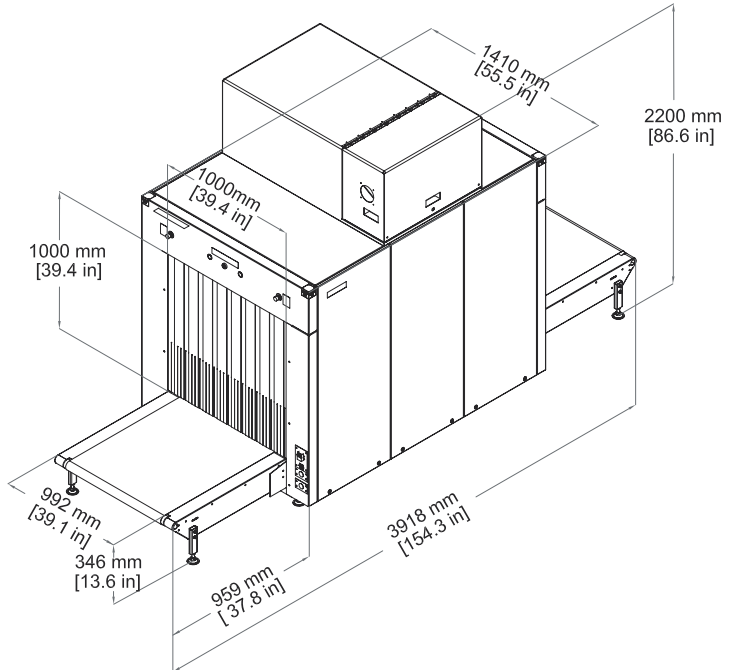
Steel Penetration: 28mm guaranteed; 30mm typical
 Wire Resolution: 38 AWG guaranteed, 40 AWG typical
 Material Separation: Low Z, Medium Z, High Z to 0.5 Z accuracy
 Generator Cooling: Sealed oil bath with forced air
 Anode Voltage: Operating at 160kV
 Tube Current: 1.0 mA
 Orientation: Vertically Downward

OPERATING ENVIRONMENT

Storage Temperature: -20°C to 50°C
 Operating Temperature: 0°C to 40°C
 Relative Humidity: 5 to 95% non-condensing

HEALTH & SAFETY

All Rapiscan Systems products comply with applicable international health and safety regulations including USA FDA X-Ray systems (Federal Standard 21CFR 1020.40) and Health and Safety at Work Act 1974-section 6, Amended by the Consumer Protection Act 1987. Maximum leakage radiation less than 0.1mR/hr (1µ Sv/hr) in contact with outer panels.
 Film Safety: For ISO 1600/33 DIN
 CE Compliance: Yes
 FCC & IEC Compliance: Yes
 UL Compliant: Yes



STANDARD FEATURES	OPTIONS AND ACCESSORIES
Multi Energy Imaging (4 Color)	Threat Image Protection (TIP)
Crystal Clear	Target
Black and White Viewing	Interactive Target
Organic / Inorganic Stripping	Density Threshold Alert (DTA)
Inverse Video	Operator Training Program (OTP)
High Penetration	Manual Scan
Variable Edge Enhancement	Automatic Image Archiving
Variable Color Stripping	Threat Image Protection Network (TIPNET)
Variable Gamma	Network Display Station (NDS)
Variable Density Zoom	Smart Card Login
Zoom (to 64x)	Power Conditioner
View Previous Bag	Foot-mat
Manual Image Archive	Conveyor Accessories
Configurable Image Processing Keys	CRT Color Monitor, Non-flicker
Baggage Counter	
Date / Time Display	
Search Indicator	
UPS (Uninterrupted Power Supply)	
Remote Workstation	
Flat Panel LCD Monitor	

SAFETY Act Certified



ISO 9001:2000 Certified

With continual development of our products Rapiscan Systems reserves the right to amend specifications without notice.

9150115-3

www.rapiscansystems.com • sales@rapiscansystems.com

AMERICAS, CARIBBEAN

2805 Columbia Street
 Torrance, California 90503
 UNITED STATES OF AMERICA
 Tel: +1 310-978-1457
 Fax: +1 310-349-2491

EUROPE, AFRICA, MID EAST

X-Ray House
 Bonehurst Road
 Salfords
 Surrey RH1 5GG
 UNITED KINGDOM
 Tel: +44 (0) 870-7774301
 Fax: +44 (0) 870-7774302

ASIA

240 Macpherson Road
 #07-03 Pines Industrial Building
 Singapore 348574
 SINGAPORE
 Tel: +65-6743-9913
 Fax: +65-6743-9915

AUSTRALIA

Rapiscan House
 4 Ross Street
 South Melbourne Victoria
 Australia 3205
 AUSTRALIA
 Tel: +61 3 9929 4600
 Fax: +61 3 9929 4655

distributor stamp

111508